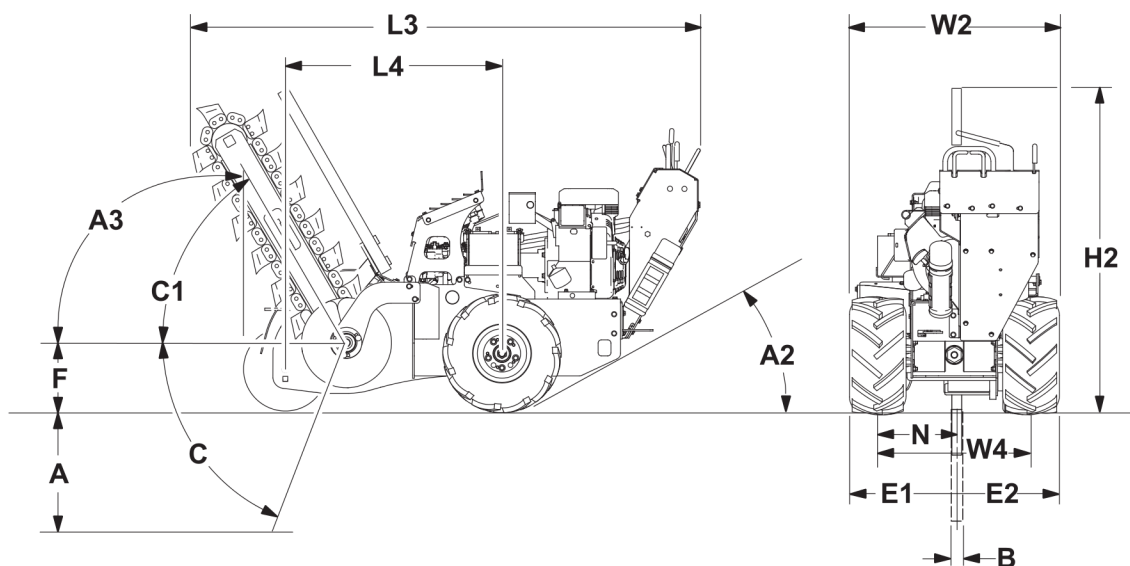


RT16



t27om012h.eps

Dimensions		U.S.	Metric
A	Trench depth, maximum	36 in	915 mm
B	Trench width	4.3 - 6 in	110-150 mm
C	Boom travel down	60°	60°
C1	Boom travel up	60°	60°
F	Headshaft height, digging chain	8.6 in	220 mm
L3	Length	84 in	2.1 m
W2	Width	33 in	840 mm
H2	Height	47 in	1.2 m
W4	Tread	26 in	660 mm
A2	Angle of departure	35°	35°
L4	Wheelbase	32 in	810 mm
E1	Centerline trench to outside edge of machine, left	15 in	381 mm
E2	Centerline trench to outside edge of machine, right	18 in	457 mm
N	Spoil discharge reach	10.6 in	270 mm
A3	Angle of approach	85°	85°

Unless otherwise noted, dimensions are based on 18x9.50x8 tires and 24" (610-mm) boom in transport position.