



Construction features

High resistance to water containing sand, mud with solids in suspension:

- Casing and impeller in **cast iron**
- Mechanical seal in **silicon carbide-nitrile** rubber, grease lubricated
- **Wear plate in cast iron**

Four vane open impeller, with solids handling up to **45 mm / 1.8"**

Fuel tank: **10 liters / 2.6 USG**

Trailer with tractor wheels

Steel lifting bar, tow bar, foot, battery, muffler guard.

4" BSP threaded ports - replaceable

Diesel engine 12LD477-2

Displacement:

954 cm³ / 58 in³

Power:

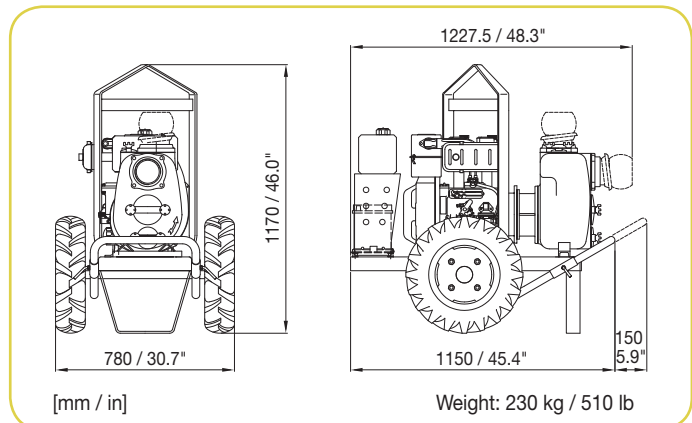
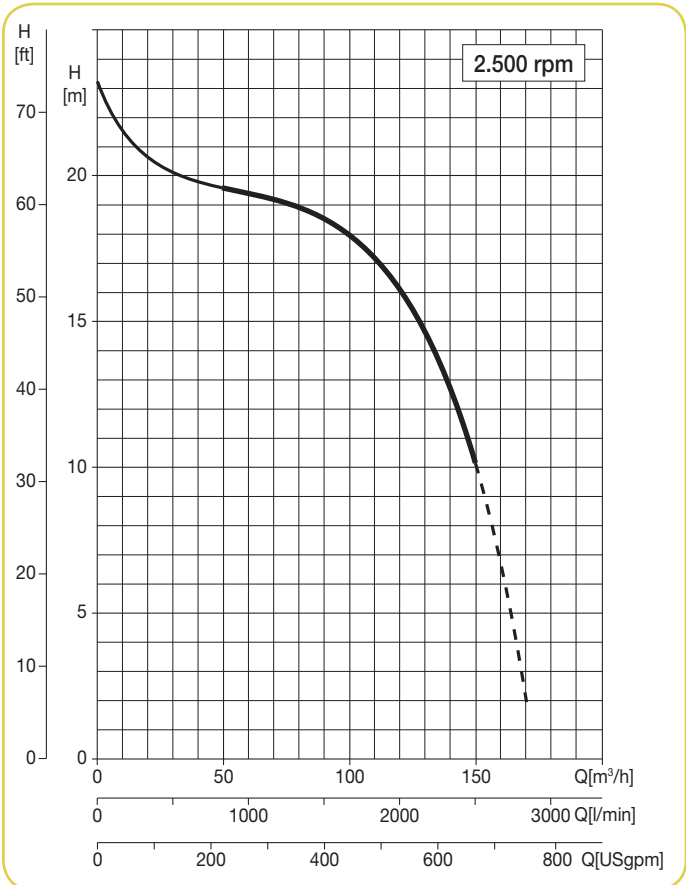
11 kW - 15 HP (2.500 rpm - ISO 3046)

Cooling:

air

Starting:

electric start (wet charged battery included)



Accessories on request

Couplings	Threaded male coupling		10013318	M100SX4" L=150 coupling
Suction pipes	Flexible hose in PVC with steel spiral 4 - 5 - 6 m / 13 - 16 - 20 ft (standard length)		10013563	A100X4S flexible hose
			10013564	A100X5S flexible hose
			10013565	A100X6S flexible hose
			10013520	A100X4S suction hose with strainer
			10013521	A100X5S suction hose with strainer
Discharge pipes	Flat hose - 10 m / 33 ft (standard length)		10013522	A100X6S suction hose with strainer
			10013637	H100X10S 3L 8 bar flexible hose
	Galvanized steel pipe (PN 10)		10013638	H100X10S 2L 8 bar flexible hose
			10013473	100SX4 discharge steel pipe
			10013474	100SX5,8 discharge steel pipe
			10048926	100SX6,2 discharge steel pipe
			10045075	100SX4 discharge PE pipe
PE HD pipe with galvanized steel spherical couplings (PN 6)		10045074	100SX5,8 discharge PE pipe	
Elbows	Galvanized steel 90° elbow		10013407	100S 90° elbow
Strainers	Galvanized steel strainer		10013229	100S steel strainer